

MO3030,MO3036,MO3042
ASSEMBLY INSTRUCTIONS

Getting started:

prepare a protection layer, a screwdriver

STEP 1: Joint top panel with back panel

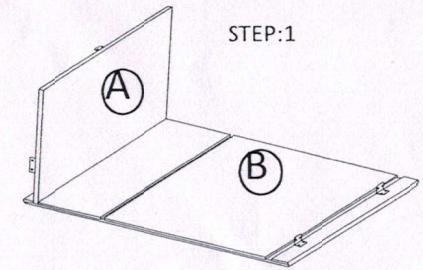
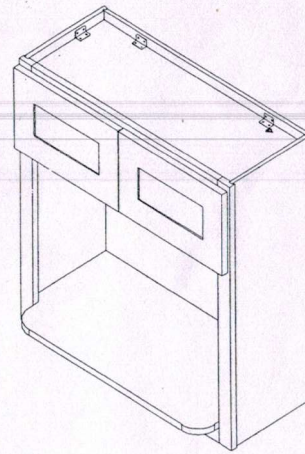
STEP 2: Joint side panel with back panel

STEP 3: Joint bottom panel and middle panel with side panel

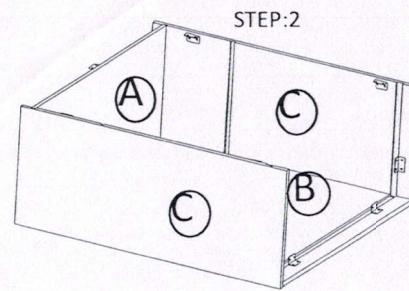
STEP 4: Attach frame on

STEP 5: Fix door onto the frame and adjust the cover-space

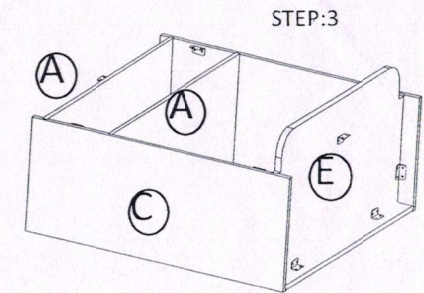
PARTS LIST		
NO.	Description	QT
A	TOP&BOTTOM PANEL	2
B	BACK PANEL	1
C	SIDE PANEL	2
D	BOTTOM PANEL	2
E	FACE FRAME	1
F	CABINETS DOOR	2



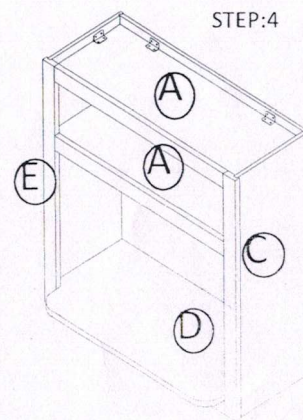
STEP:1



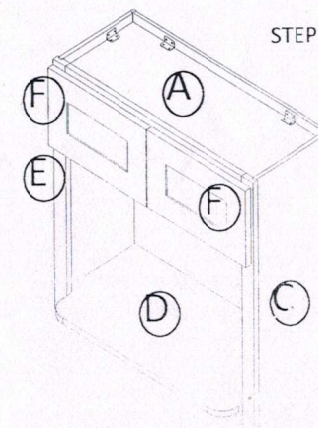
STEP:2



STEP:3

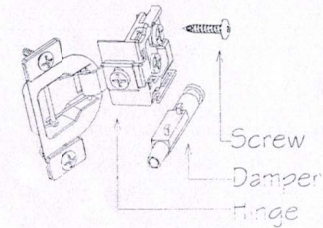


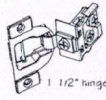


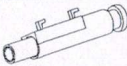



STEP:4



STEP:5

How To Fix Soft Close Hinge



7	1 1/2" SOFTCLOSE HINGE	4	
6	3/4" ROUND HEAD SCREW	4	
5	BUMPER	4	
4	DAMPER	2	
3	9/16" ROUND HEAD SCREW	76	
2	CLEAT	19	
1	1" FLAT HEAD SCREW FOR CARCASS	12	
NO.	Description	QTY	PICTURE

HARDWARE LIST